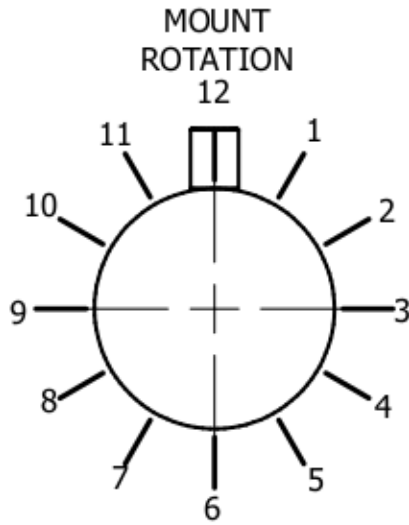
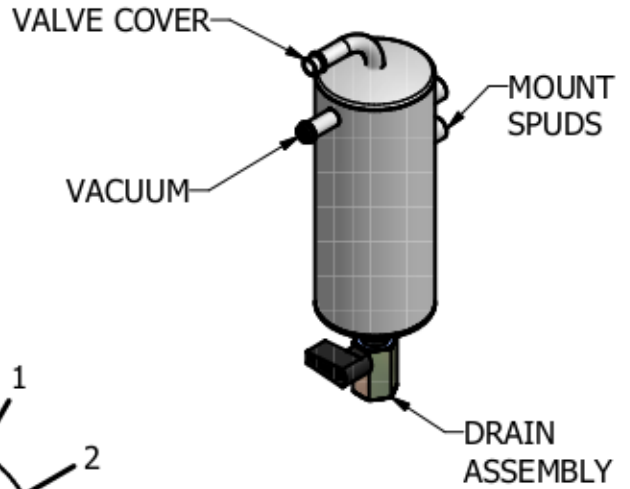


SAIKOU MACHI SKETCH

BLANK TEMPLATE S1-SPLIT-DC3

Tank# _____



TOP VIEW

INLET SIZE: _____

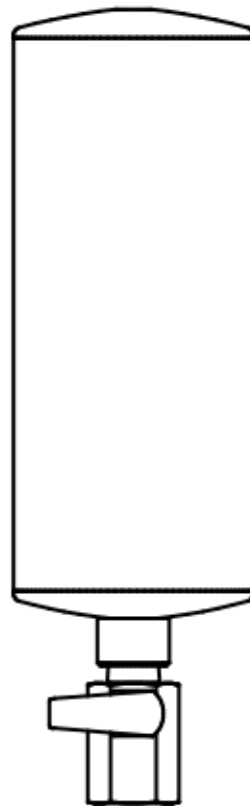
TYPE: _____

ROTATION: _____

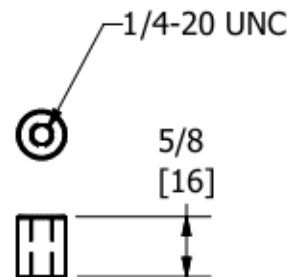
OUTLET SIZE: _____

TYPE: _____

ROTATION: _____



FRONT VIEW



Mount Spud