

2



1

SAIKOU MICH I CO

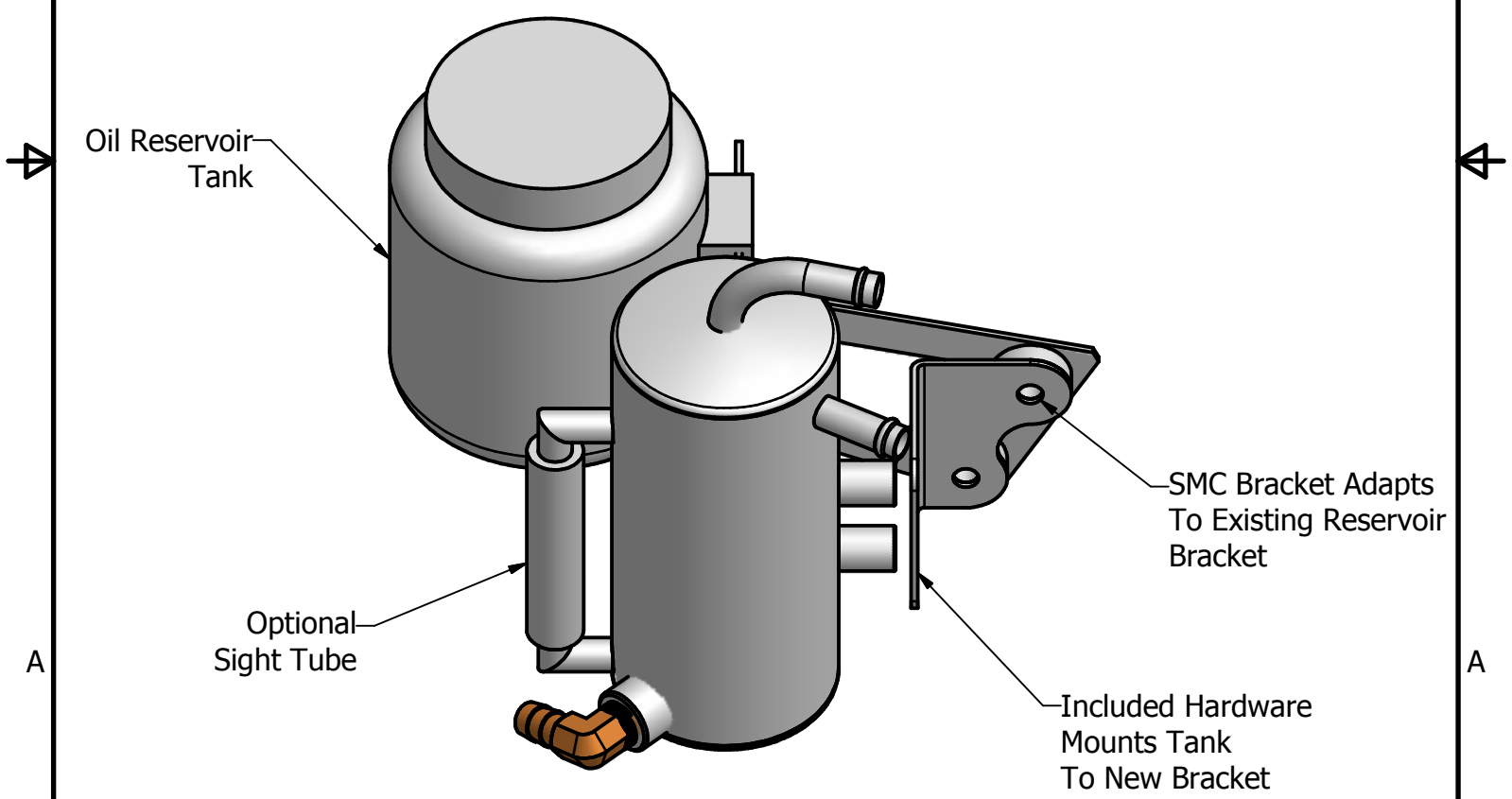
S1-350Z-S

MOUNTING DETAIL

B

B

The S1-350Z-S OCC is intended to mount easily by using the existing bolts used to mount the power steering tank. Connections are rotated to help the hoses route smoothly.



A

A

WWW.SAIKOU MICH I.COM

2



1